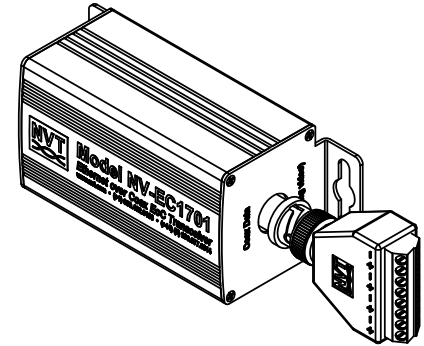
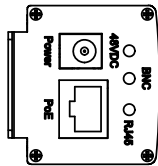


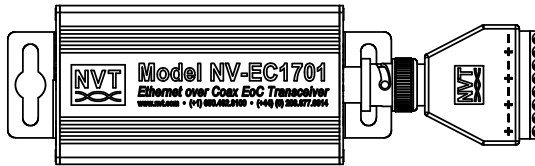
NV-EC1701U ETHERNET OVER 2-WIRE Eo2 TRANSCEIVER
SIDE VIEW



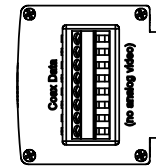
ISOMETRIC VIEW



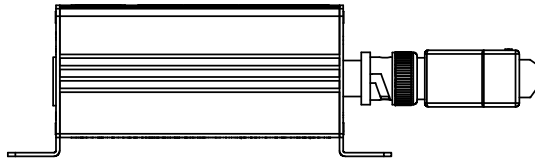
FRONT VIEW



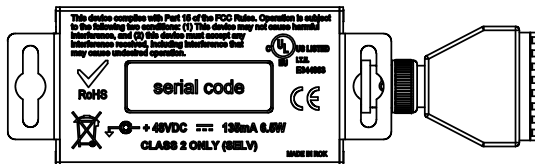
NV-EC1701U ETHERNET OVER 2-WIRE Eo2 TRANSCEIVER
TOP VIEW



REAR VIEW



NV-EC1701U ETHERNET OVER 2-WIRE Eo2 TRANSCEIVER
SIDE VIEW



NV-EC1701U ETHERNET OVER 2-WIRE Eo2 TRANSCEIVER
BOTTOM VIEW