

IP MIGRATION MADE SIMPLE

NVT PHYBRIDGE

PoLRE LPC SWITCH DATA SHEET



Ethernet and PoE
over a Single Pair of Wire
with 1,200 ft (365 m) Reach

The plug and play PoLRE (Power over Long Reach Ethernet) LPC switch is an 8 port unmanaged ethernet switch. This powerful switch delivers ethernet and PoE over a single pair of wire with 1,200 ft (365 m) reach.

PoLRE was designed to make the migration to IP quick, easy and cost effective by leveraging an existing single pair UTP infrastructure. Benefits include:

- Accelerating your return on investment by reducing infrastructure costs;
- Collapsing planning and deployment time;
- Eliminating infrastructure barriers, risks, disruption and costs;
- Creating a robust IP platform that is easy to configure, deploy and manage.

Unlike other Ethernet switch technologies, the PoLRE LPC switch offers:

Speed, Reach and Power

The LPC delivers 10 Mbps (symmetrical, full duplex) and PoE over a single pair of UTP with 1,200 ft (365 m) reach. It is designed to support IP Phones and other IEEE compliant devices. There is no reduction in bandwidth speed based on longer distances.

Simple Deployment

PoLRE LPC was designed to make it simple for small businesses or distributed enterprise to simplify their IP migration. No network configuration required.

PoLRE LPC Switch

At-a-Glance

The PoLRE LPC switch is a high-performing 8 port unmanaged switch that helps maximize your return on investment and reduce your total cost of ownership.

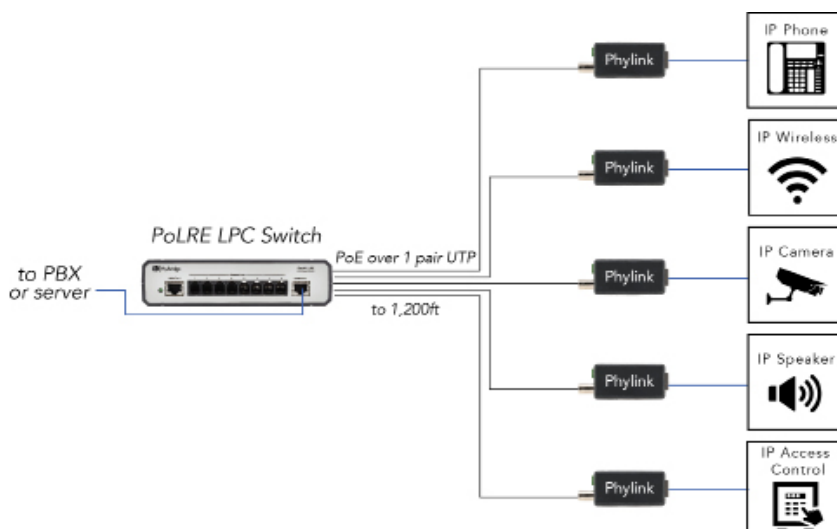
The PoLRE LPC transforms the existing two-wire infrastructure into a robust IP platform with power ideal for IP phones and other IEEE compliant IP devices.

Advantages

- Quick, easy and cost effective IP migration
- Plug-and-play unmanaged switch
- Ethernet and PoE over a single pair of wire with 4 times the reach of traditional switches

Member of CHARIoT Series of Long Reach PoE Switches


CHARIoT
by NVT Phybridge



PoLRE 8 Port Unmanaged Switch Technical Specifications

Model	NV-PL-08
Dimensions	<ul style="list-style-type: none"> • 1.77" x 7.01" x 4.72" (HxWxD) • 4.5cm x 17.8cm x 12cm (HxWxD) • Weight: (0.679 lbs) 0.308 kg
Interface: Ethernet Uplink (Trunk IP)	2 RJ45 ports: 10/100 Base-T auto-sensing, independent speed selection, Ethernet IEEE 802.3, CAT5 copper cable
Interface: Downlink (PoE and IP to Adapter)	8 x RJ11 Jacks Maximum Distance: 1200ft (365 m) CAT3 UTP cable, 24 AWG Speed: 10 Mbps (full duplex) Power: 15 Watts

The PoLRE 8 model NV-PL-08 comes with an 8 port switch, 2 Phylink adapters and a 100 watt external power supply.

Power Supply	48VDC
Power Consumption	2.9W
Power Injection (PoE)	48VDC; Endpoint devices must be compliant with IEEE 802.3af
Operating Temperature	14°F to 115.6°F (-10°C to 45.5°C)
Humidity	10% to 95% (non-condensing) at 95°F (35°C)
External Power Supply	External 100w power supply included. Optional higher power supplies available.
Rack Mount	Model NV-PL-RMEC10 

Specifications subject to change without notice.

Phylink Adapter Technical Specifications

Model	NV-PL-PA-011-6 (sold as 6 pack)
Dimensions	<ul style="list-style-type: none"> • 0.71" x 1.1" x 2.56" (HxWxD) • 1.8cm x 2.8cm x 6.5cm (HxWxD) • Weight: 0.78 oz (22 g)
Interface PoLRE Switch Side)	1 RJ11 port: CAT3 unshielded single twisted pair cable. Between the wall plate and adapter, you can reuse the existing line cord when doing a DNIC/ POTS displacement.
Interface Ethernet side: for IP end point device	1 RJ45 port: 10 Base-T

Power Supply	48VDC
Power Consumption	0.9W
Power Injection (PoE)	DC voltage on RJ45 port: <ul style="list-style-type: none"> • 54V max • 37V when 1200ft (365m) away from its PoLRE Switch powers Class 1, Class 2 and some Class 3 IEEE 802.3af compliant IP devices
Operating Temperature	32°F to 104°F (0°C to 40°C)
Humidity	10% to 95% (non-condensing) at 95°F (35°C)

Specifications subject to change without notice.