

QUICK INSTALL GUIDE - EC ADAPTERS

The EC-Base and EC-Link+ adapters enable extended Ethernet and PoE reach beyond traditional distances using Coax infrastructure. The EC-Link+, when connected to the EC-Base unit via Coax can deliver 10/100Mbps (symmetrical, full duplex) and PoE++ (up to 50W) with up to 4,000ft (1,219m) reach. The EC offering is designed specifically to enable easy deployment over Coax for reaches beyond that of standard Ethernet eliminating the costs and disruption associated with IDF closet requirements.

EC-Base

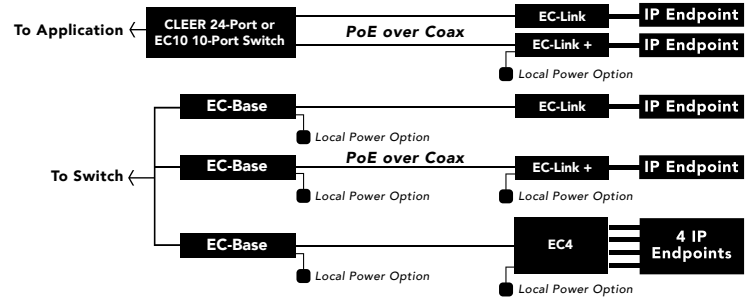
EC-Link+



NOTE: Please see page 2 for important safety instructions

EC Adapter Applications

10/100Mbps (symmetrical, full duplex) and PoE++ (up to 50W) with up to 4,000ft (1,219m) reach



EC-LINK+



Installation Details

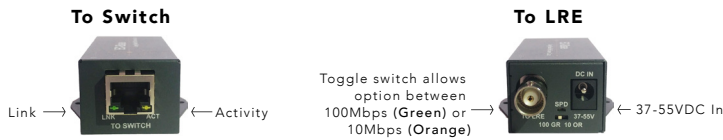
1. Remove the EC-Link+ from its packaging.
2. Remove all legacy equipment from the Coax cable infrastructure.
NOTE: In order to avoid damage to endpoints, it is important that non-IP devices are not connected when you connect the EC-Link+.
3. Connect the Network Infrastructure cable from the CLEER24, EC10 or EC-Base to the EC-Link+ (LRE side).
4. Using CAT5 or higher category cable, connect the endpoint to EC-Link+ (Endpoint side).

NOTE: EC-Link+ can be used with the CLEER24, EC10 or EC-Base

Product Details (NV-ECLK-PLS)

- Paired with CLEER24, EC10, or EC-Base
- Up to 50W PoE with EC-Base or locally powered
- Up to 30W PoE with CLEER24 or EC10
- Local power option
- IEEE compliant
- PoE on 4 pairs

EC-Base



Installation Details

1. Remove the EC-Base from its packaging.
2. Remove all legacy equipment from the Coax cable infrastructure.
NOTE: In order to avoid damage to endpoints, it is important that non-IP devices are not connected when you connect the EC-Base.
3. Connect EC-Base (Switch side) to downlink port on switch.
4. Connect the Network Infrastructure cable from the EC-Base (LRE side) to EC-Link+ or EC4 (LRE side).
5. Using CAT5 or higher category cable, connect the endpoint to the EC-Link+ or EC4 (Endpoint side).

NOTE: EC-Base can be used with EC-Link+ or EC4

Product Details (NV-ECLK-BSE)

- Paired with EC-Link+, EC-Link, or EC4
- Up to 50W PoE
- Local power option
- IEEE compliant

Note the following:

All of the above instructions provide basic installation information necessary for the proper and safe functioning of this equipment. Persons installing or maintaining this product must read all of the safety instructions and the parts of system grounding, which are applicable to the system being maintained. Only trained, qualified service personnel shall install or maintain this product.

WARNING: FAILURE TO FOLLOW ALL INSTRUCTIONS MAY RESULT IN IMPROPER EQUIPMENT OPERATION AND/OR RISK OF ELECTRICAL SHOCK.



WARNING: ANY CONNECTION TO AN OUTSIDE PLANT LEAD, AN OFF-PREMISE APPLICATION, OR ANY OTHER EXPOSED PLANT APPLICATION MAY RESULT IN A FIRE OR SHOCK HAZARD, AND/OR DEFECTIVE OPERATION, AND/OR EQUIPMENT DAMAGE.

- Keep these instructions with the equipment.
- Do not attempt to install or service this equipment unless you are skilled in the installation and maintenance of electronic telecommunications equipment and have successfully completed training for this equipment.



Safety Warnings and Precautions

- Refer to the CLEER24 or EC10 Quick Install Guides under "Safety Warnings" for the EC adapters
- Reportez-vous aux Quick Install Guides CLEER24 ou EC10 sous "Safety Warnings" pour les adaptateurs EC
- Beachten Sie die CLEER24- oder EC10- Quick Install Guides unter "Safety Warnings" für die EC-Adapter
- Consulte las Quick Install Guides CLEER24 o EC10 bajo "Safety Warnings" para los adaptadores EC
- Katso CLEER24- tai EC10 Quick Install Guides EC-sovittimien "Safety Warnings" alla
- Raadpleeg de CLEER24 of EC10 Quick Install Guides onder "Safety Warnings" voor de EC-adapter
- Se CLEER24 eller EC10 Quick Install Guides under "Safety Warnings" för EC-adaptrarna
- Se CLEER24 eller EC10 Quick Install Guides under "Safety Warnings" for EC-adaptare
- Ανατρέξτε στους οδηγούς CLEER24 ή EC10 Quick Install Guides στην ενότητα "Safety Warnings" για τους προσαρμογείς EC
- Fare riferimento alla sezione CLEER24 o EC10 Quick Install Guides sotto "Safety Warnings" per gli adattatori EC
- Consulte o CLEER24 ou EC10 Quick Install Guides em "Safety Warnings" para os adaptadores EC
- Irreferi għall-CLEER24 jew EC10 Quick Install Guides taht "Safety Warnings" għall-adapters EC
- Vaadake CLEER24 või EC10 Quick Install Guides alusel "Safety Warnings" EC adapterid
- A EC adapterek "Safety Warnings" című részében olvassa el a CLEER24 vagy a EC10 Quick Install Guides című részt
- Nanašajo na CLEER24 ali EC10 Quick Install Guides pod "Safety Warnings" za EC adapterji
- Další informace naleznete v příručkách CLEER24 nebo EC10 Quick Install Guides v části "Safety Warnings" pro adaptéry EC
- Kreiptis į CLEER24 ar EC10 Quick Install Guides pagal "Safety Warnings" Už EC adapteriai
- Skatiet CLEER24 vai EC10 Quick Install Guides zem "Safety Warnings," lai EC adapteri
- Pozrite si CLEER24 alebo EC10 Quick Install Guides v časti "Safety Warnings" pre adaptéry EC
- Sjä CLEER24 eða EC10 Quick Install Guides undir "Safety Warnings" fyrir EC-millistykki
- Zobacz CLEER24 lub EC10 Quick Install Guides w sekcji "Safety Warnings" w przypadku adapterów EC
- Se CLEER24 eller EC10 Quick Install Guides under "Safety Warnings" for EC-adaptare
- Consultați ghidurile CLEER24 sau EC10 Quick Install Guides din secțiunea "Safety Warnings" pentru adaptoarele EC
- Обърнете се към CLEER24 или EC10 Quick Install Guides в "Safety Warnings" за адаптери EC

EC-Link+ and EC-Base

- **CAUTION**, Hot surface
- **ATTENTION**, Surface chaude
- **VORSICHT**, Heiße Oberfläche
- **PRECAUCIÓN**, Superficie caliente
- **VAROITUS**, Kuuma pinta
- **VOORZICHTIGHEID**, Heet oppervlakte
- **VARNING**, Varm yta
- **ADVASEL**, Varm overflade
- **ΠΡΟΣΟΧΗ**, Καυτή επιφάνεια
- **ATTENZIONE**, Superficie calda
- **CUIDADO**, Superficie quente
- **ATTENZJONI**, Wiċċ shun
- **ETTEVAATUST**, Kuum pind
- **VIGYÁZAT**, Forró felület
- **PREVIDNOST**, Vročna površina
- **POZOR**, Horký povrch
- **ATSARGIAI**, Karštas paviršius
- **UZMANĪBU**, Karstā virsma
- **POZOR**, Horúci povrch
- **VARÚB**, Heitt yfirborð
- **PRZESTROGA**, Gorąca powierzchnia
- **FORSIKTIG**, Varm overflate
- **PRUDENTĀ**, Suprafata fierbinte
- **ВНИМАНИЕ**, Гореща повърхност

Compliance and Environmental Information

All the compliance and environmental information is available on our website www.nvtpybridge.com

Technical Specifications

Model Number	EC-Link+	EC-Base
Part Number	NV-ECLK-PLS	NV-ECLK-BSE
Dimensions	10.09cm x 5.03cm x 2.57cm (LxWxH); 3.97" x 1.98" x 1.01" (LxWxH)	10.09cm x 5.03cm x 2.57cm (LxWxH); 3.97" x 1.98" x 1.01" (LxWxH)
Weight	108g (3.81oz.)	108g (3.81oz.)
Interface: Network Infrastructure side (CLEER)	1 BNC port: Coax cable (RG59, RG6, RG11)	1 BNC port: Coax cable (RG59, RG6, RG11)
Interface: IEEE Side (IP Device)	1 RJ45 port; adapter is IEEE 802.3af/at compliant and will negotiate power requirements with IP end device.	(For General/PoE Switch) 1 RJ45 port: supports negotiation with IEEE 802.3 af/at switches
Power Supply	Maximum 50W (If locally powered and 30W if power provided from switch) delivered on 4 pairs.	PoE from standard PoE switch, or external power supply; maximum 50W if locally powered.
DC IN (Barrel Connector)	Optional (sold separately) 48V – 56VDC via an external AC/DC Power Adapter (IEC Class II isolated only) NOTE 1: Local power supply used must have its output isolated from Earth potential. NOTE 2: If voltage of local power supply is lower than the power voltage provided from the PoE switch, then power on the PoE switch should be turned off.	Optional (sold separately) 48V – 56VDC via an external AC/DC Power Adapter (IEC Class II isolated only) NOTE 1: Local power supply used must have its output isolated from Earth potential. NOTE 2: If voltage of local power supply is lower than the power voltage provided from the PoE switch, then power on the PoE switch should be turned off.
Power Consumption	1.1W	1W
Operating Temperature	-58°F to +158°F (-50°C to +70°C) <i>Tests conducted against international safety standard at maximum ambient temperatures of 60°C at 30W and 55°C at 50W</i>	-58°F to +158°F (-50°C to +70°C) <i>Tests conducted against international safety standard at maximum ambient temperatures of 60°C at 30W and 55°C at 50W</i>
Mean Time Before Failure (MTBF)	20+ years	20+ years
Humidity	10% to 95% (non-condensing) at 35° C	10% to 95% (non-condensing) at 35° C

Technical Support

The NVT Phybridge Technical Support Group is available to assist you with product installation, configuration, monitoring and troubleshooting procedures. Should you experience trouble with this equipment or for repair or warranty information, please contact NVT Phybridge at +1 905.901.3633 or support@nvtpybridge.com.

Warranty: The EC adapters are backed by NVT Phybridge's award-winning customer support and 5-year warranty.